

1194637
MIX 750 380V 50/60HZ

3226526_1194637_R06W - R06W (4/12/2020)



Access Platform Division

Via San Francesco d'Assisi, 8 - 46020 Pegognaga (Mantova) - ITALY Tel. +39 0376
554011 - Fax +39 0376 559855

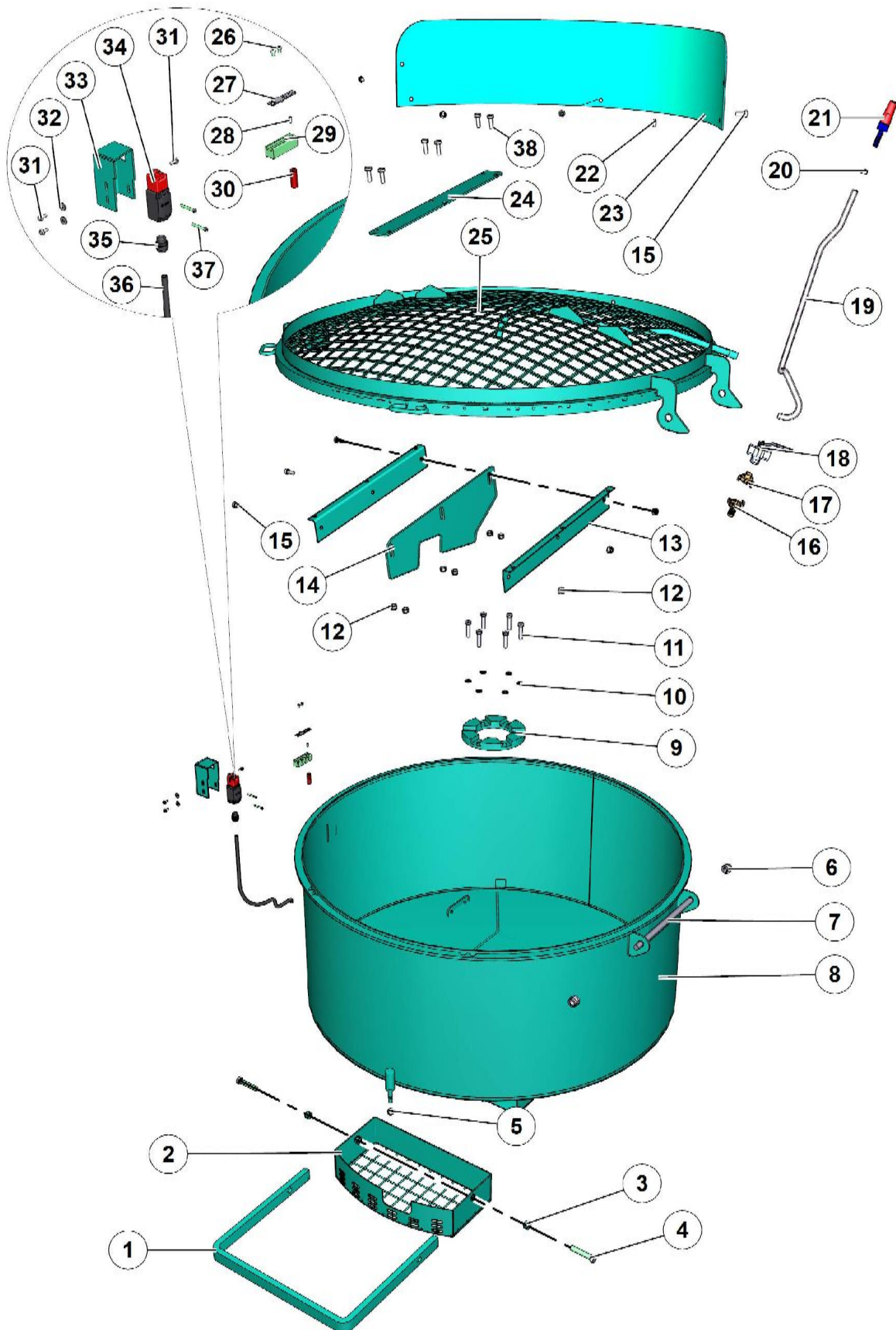
www.imergroup.com

Building Equipment Division

Via della Meccanica, 39 (Zona Industriale Sentino) - 53040 Rapolano Terme
(Siena) - ITALY - Tel. +39 0577 97341 - Fax +39 0577 704077

www.imergroup.com

www.imerglobalcustomercare.com

DRUM


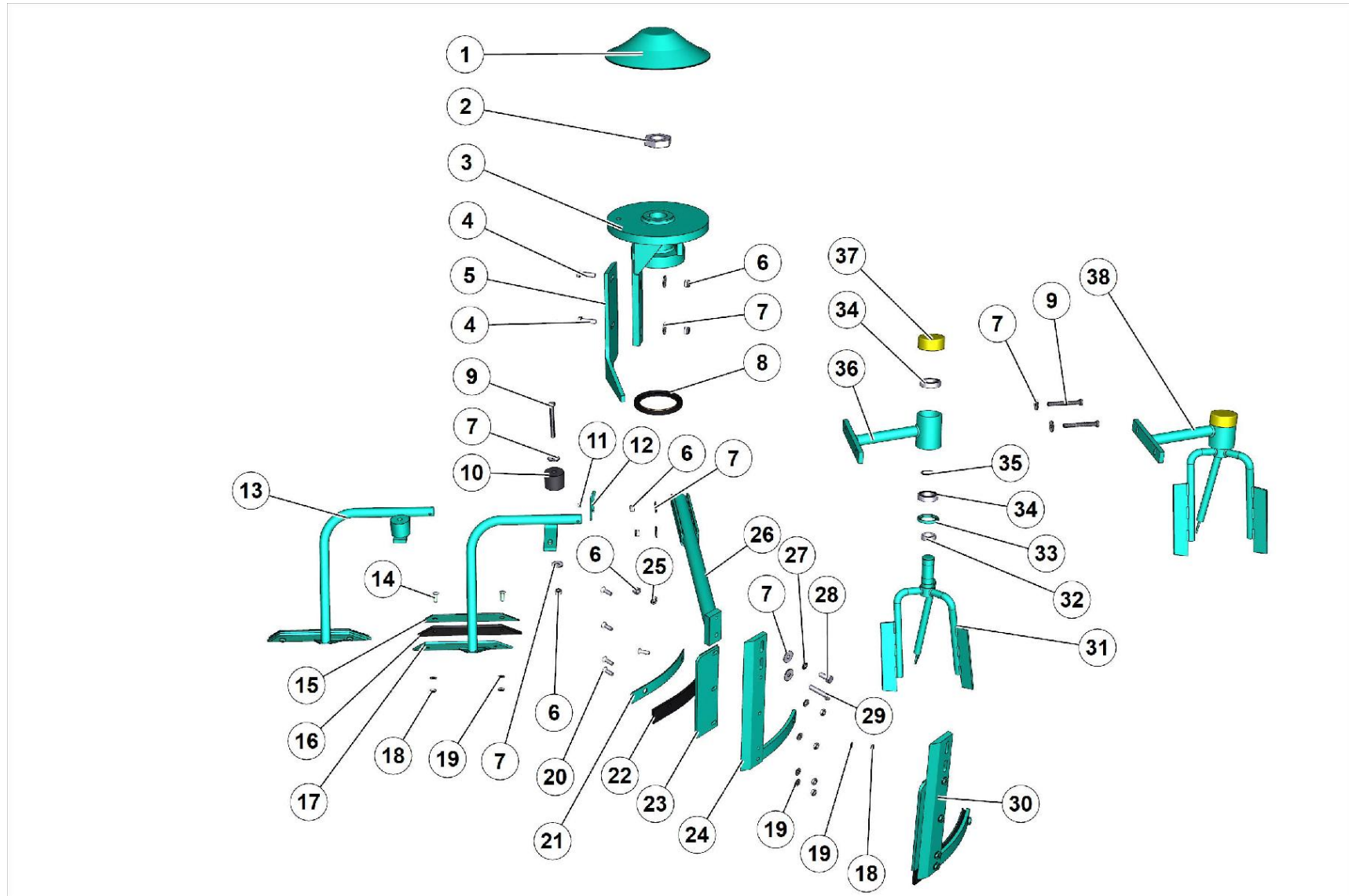


N.	CODE	DESCRIPTION	UM	QTY
1	3236592	ROLLBAR/MN		1.0
2	3226727	PROTECTION	PZ	1.0
3	3211582	SPACER		2.0
4	3210871	SCREW 8.8 5739 16X80 Z	PZ	2.0
5	2223921	NUT	PZ	1.0
6	3201033	NUT/MN	PZ	2.0
7	3211742	ROTATION PIN/MN	PZ	1.0
8	3211580	DRUM/CONC.MIXER	PZ	1.0
9	3211305	Protection	PZ	1.0
10	2224900	WASHER/MN	PZ	6.0
11	2222050	SCREW/MN	PZ	6.0
12	2223920	SELF-LOCKING NUT	PZ	9.0
13	3211637	SIDE PLATE/MN	PZ	2.0
14	3211634	RUBBER/MN	PZ	1.0
15	2222056	SCREW	PZ	6.0
16	2226800	Fitting	PZ	1.0
17	2226805	Fitting	PZ	1.0
18	2218068	BALL COCK/MN	PZ	1.0
19	2292356	TUBE	M	1.0
20	2225741	CLIP/SAW	PZ	1.0
21	2218069	NOZZLE/MN	PZ	3.0



N.	CODE	DESCRIPTION	UM	QTY
22	2223650	NUT	PZ	1.0
23	3211559	SPRAY GUARD/MN	PZ	1.0
24	3211636	SUPPORT PLATE/MN	PZ	1.0
25	3211638	DRUM SAFETY GRATE/MN	PZ	1.0
26	3211360	SCREW PREVENTION M6X10 ISO 7380	PZ	2.0
27	3231562	KEY FOR PIZZATO LIMIT SWITCH FD2293	PZ	1.0
28	3211075	SCREW/MN	PZ	1.0
29	3211064	SUPPORT/MN	PZ	1.0
30	3211067	LEVER/MN	PZ	1.0
31	2222021	SCREW	PZ	3.0
32	2224531	WASHER	PZ	3.0
33	3211767	Guard	PZ	1.0
34	3231573	PIZZATO LIMIT SWITCH FD2293	PZ	1.0
35	3211096	CABLE CLAMP	PZ	1.0
36	3211391	SHEATH	M	1.0
37	2222581	SCREW	PZ	2.0
38	2222146	SCREW	PZ	6.0

PADDLES



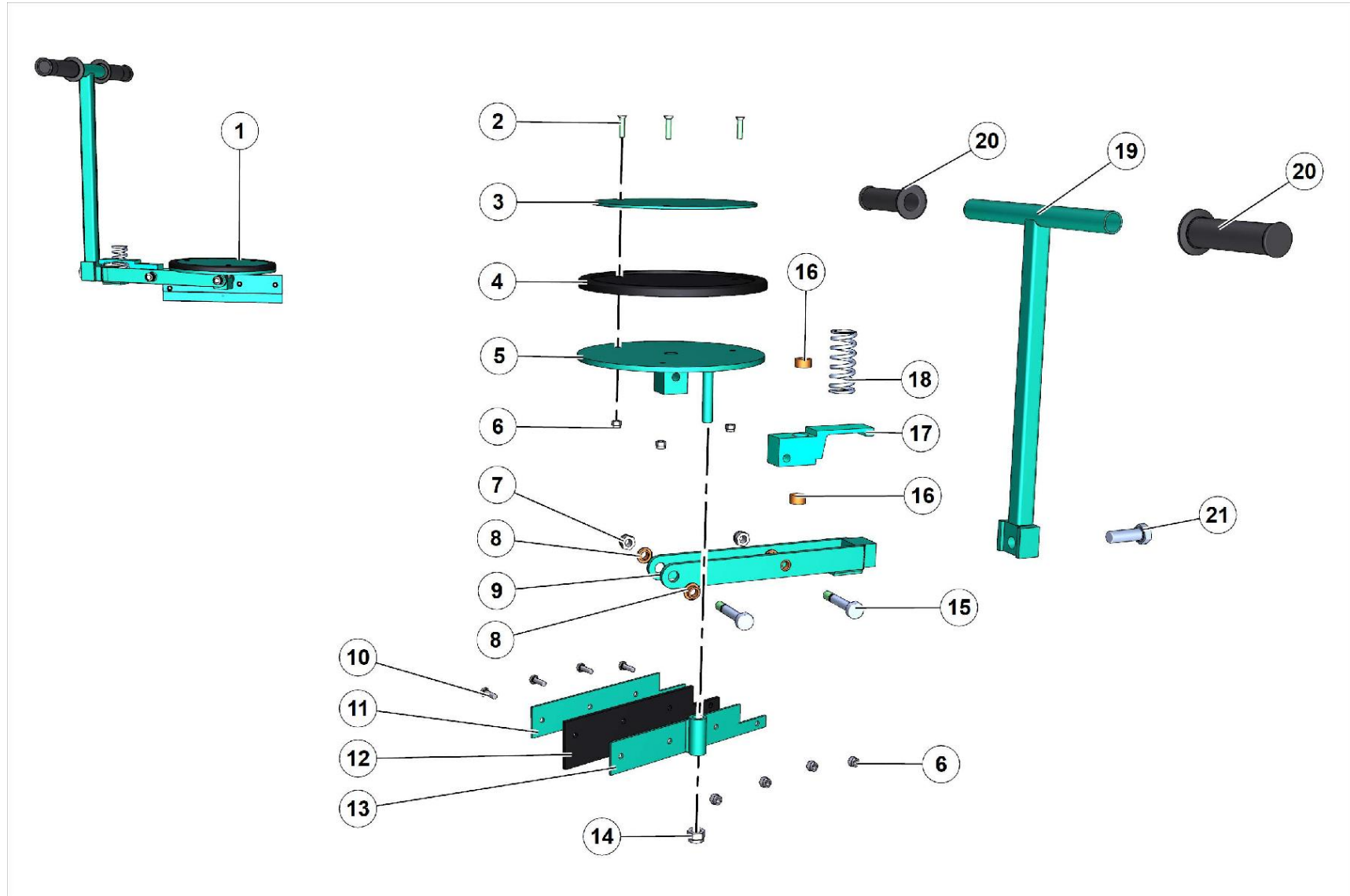


N.	CODE	DESCRIPTION	UM	QTY
1	3211270	Protection	PZ	1.0
2	2223843	NUT	PZ	1.0
3	3211241	MIXER HEAD/MN	PZ	1.0
4	2222050	SCREW/MN	PZ	2.0
5	3211255	MIXING BLADE/CONC.MIXER	PZ	1.0
6	2223921	NUT	PZ	6.0
7	3206904	WASHER/SAW	PZ	10.0
8	3211256	STOP RING	PZ	1.0
9	3206902	SCREW	PZ	2.0
10	3211253	DAMPER/MN	PZ	1.0
11	2230550	GREASER/MN	PZ	1.0
12	3223903	SPLIT PIN	PZ	1.0
13	3211692	PADDLE COMPLETE/MN	PZ	1.0
14	2222601	BOLT/MN	PZ	2.0
15	3211678	FLOATING PLATE/MN	PZ	1.0
16	3211679	RUBBER/MN	PZ	1.0
17	3211676	BLADE SUPPORT/MN	PZ	1.0
18	2223655	NUT	PZ	7.0
19	2224340	ROLLER/MORTAR PUMP	PZ	7.0
20	3211392	SCREW/MN	PZ	5.0
21	3211674	HORIZ.PLATE OUTER PADDLE/MN	PZ	1.0



N.	CODE	DESCRIPTION	UM	QTY
22	3211675	HORIZ.RUBBER OUTER PADDLE/MN	PZ	1.0
23	3211221	RUBBER/MN	PZ	1.0
24	3211672	OUTER PADDLE/MN	PZ	1.0
25	2224380	WASHER/SAW	PZ	1.0
26	3211250	BLADE SUPPORT/MN	PZ	1.0
27	2224900	WASHER/MN	PZ	1.0
28	2222181	SCREW	PZ	1.0
29	2222084		PZ	1.0
30	3211691	OUTER PADDLE COMPLETE/MN	PZ	1.0
31	3211238	Mixing blade	PZ	1.0
32	3206003	STOP RING/MN	PZ	1.0
33	3205992	STOP RING	PZ	1.0
34	2204505	Bearing	PZ	2.0
35	2227220	STOP RING	PZ	1.0
36	3211235	SUPPORT	PZ	1.0
37	2257710	PLASTIC CAP/MN	PZ	1.0
38	3211234	ROTATION BLADE/MN	PZ	1.0

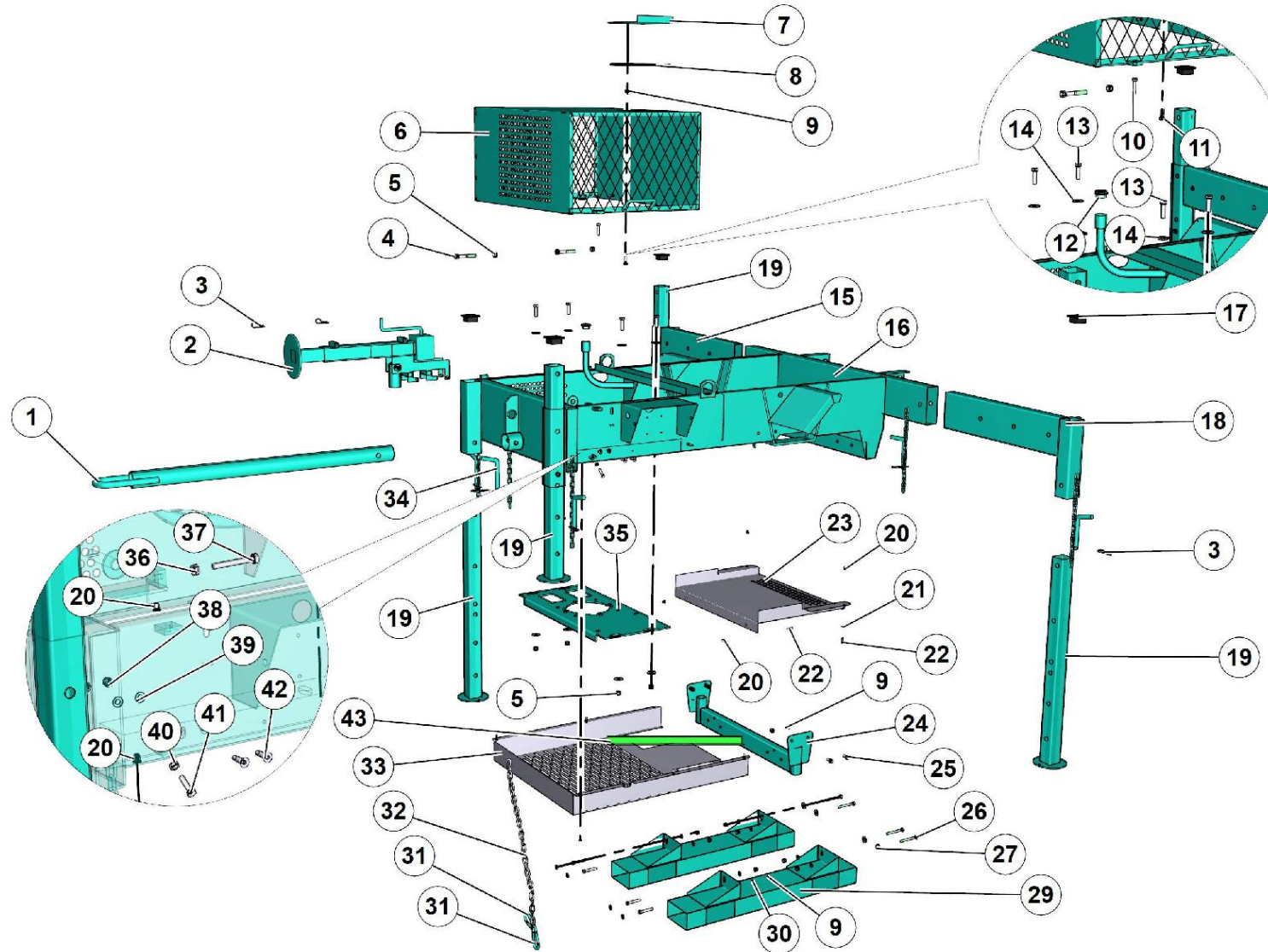
OUTLET





N.	CODE	DESCRIPTION	UM	QTY
1	2250748	DUMP GATE/MN	PZ	1.0
2	2222600	SCREW/MN	PZ	3.0
3	2225033	COVER DISC/MN	PZ	1.0
4	2292581	DISCHARGE SEAL/MN	PZ	1.0
5	2253863	BLADE/MN	PZ	1.0
6	2223924	NUT	PZ	7.0
7	2223920	SELF-LOCKING NUT	PZ	1.0
8	2209821	BUSHING/MN	PZ	2.0
9	2254015	ARM-JUMPGATE/MN	PZ	1.0
10	2222016	SCREW	PZ	4.0
11	2253853	Plate	PZ	1.0
12	2247876	Rubber	PZ	1.0
13	2253852	Outlet scraper	PZ	1.0
14	2223921	NUT	PZ	1.0
15	2223006	BOLT/MN	PZ	2.0
16	2209822	BUSHING	PZ	2.0
17	2237795	ACTUATOR	PZ	1.0
18	2231301	SPRING	PZ	1.0
19	3236585	PAINTED M680 NOZZLE OPENING LEVER	PZ	1.0
20	2288893	HANDLE	PZ	2.0
21	3232115	3232115 BOLT TREATMENT		1.0

FRAME





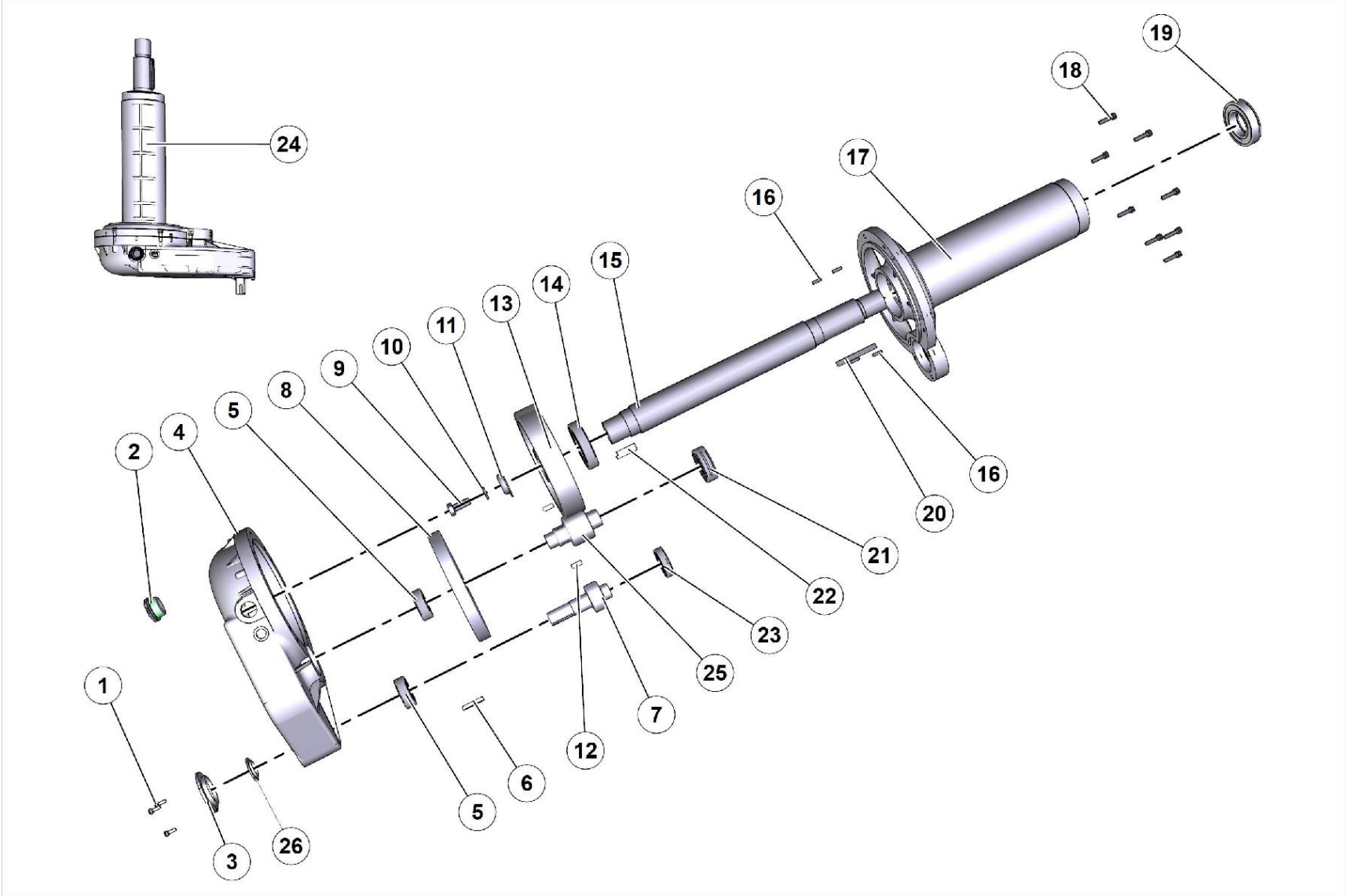
N.	CODE	DESCRIPTION	UM	QTY
1	2255211	TOW BAR/MN	PZ	1.0
2	3211695	JACK/MN	PZ	1.0
3	2226700	SPLIT PIN	PZ	7.0
4	2222566	SCREW	PZ	2.0
5	2223921	NUT	PZ	6.0
6	3211644	CANOPY/MN	PZ	1.0
7	3211649	SHUTTER	PZ	1.0
8	2216277	GASKET/SAW	M	1.0
9	2223920	SELF-LOCKING NUT	PZ	13.0
10	2222530	SCREW	PZ	1.0
11	2222056	SCREW	PZ	1.0
12	2235460	PLUG	PZ	4.0
13	2222036	BOLT	PZ	4.0
14	3206904	WASHER/SAW	PZ	4.0
15	3211680	COLLAPSIBLE LEG	PZ	1.0
16	3236464	FRAME		1.0
17	2257707	PLASTIC CAP/MN	PZ	4.0
18	3211681	COLLAPSIBLE LEG	PZ	1.0
19	2256129	TELESCOPIC LEG/MN		4.0
20	2224006	ENGAGEMENT	PZ	8.0
21	2224530	ROLLER/MN	PZ	2.0



N.	CODE	DESCRIPTION	UM	QTY
22	2222016	SCREW	PZ	4.0
23	3236463	PROTECTION PLATE/MN		1.0
24	3236589	SUPPORT		1.0
25	2222077	SCREW	PZ	4.0
26	2222691	SCREW		8.0
27	2224260	WASHER	PZ	8.0
29	3211575	COUPLING		2.0
30	2224340	ROLLER/MORTAR PUMP	PZ	8.0
31	2292298	SNAP HOOK-TOW CHAIN/CONC.MIXER	PZ	2.0
32	2234861	CHAIN/MN	PZ	1.0
33	3211642	ENGINE PROTECTION M680 USA	PZ	1.0
34	2256660	PLATE		1.0
35	3211632	MOTOR MOUNTING PLATE/MN	PZ	1.0
36	2223650	NUT	PZ	2.0
37	3211076	BOLT	PZ	2.0
38	2223923	LOCK NUT	PZ	2.0
39	2224140	ROLLER 6593	PZ	2.0
40	2223570	NUT	PZ	1.0
41	2222006	SCREW	PZ	1.0
42	3211077	SCREW/MN	PZ	2.0
43	3235713	TUBE		1.0



REDUCTION GEAR



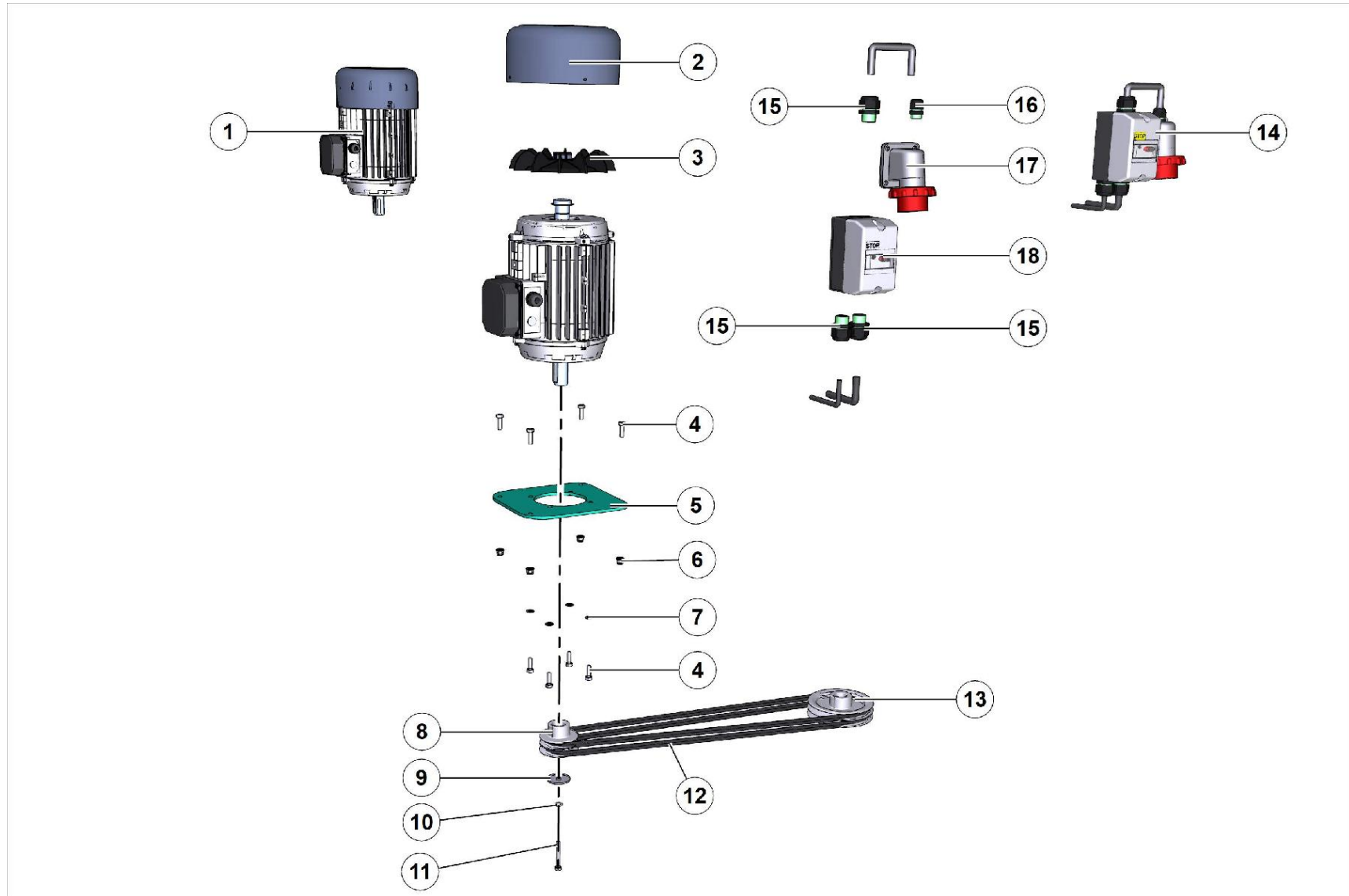


N.	CODE	DESCRIPTION	UM	QTY
1	2222539	SCREW	PZ	3.0
2	2235460	PLUG	PZ	1.0
3	2293985	PLUG	PZ	1.0
4	2215093	REDUCTION GEAR CASING	PZ	1.0
5	2204321	Bearing	PZ	2.0
6	2229348	KEY/MN	PZ	1.0
7	3223342	PINION	PZ	1.0
8	3223343	WHEEL	PZ	1.0
9	1222147	SCREW	PZ	1.0
10	1224809	1224809 WASHER LOCK	PZ	1.0
11	2208498	WASHER	PZ	1.0
12	2229540	KEY/MN	PZ	2.0
13	3211262	WHEEL	PZ	1.0
14	2204569	Bearing	PZ	1.0
15	2201163	SHAFT	PZ	1.0
16	3211269	PLUG	PZ	4.0
17	2258008	ADAPTOR TUBE/MN	PZ	1.0
18	2222513	SCREW	PZ	8.0
19	2204573	Bearing	PZ	1.0
20	3211265	TAB 16X 10X 90 UNI 6604-69	PZ	1.0
21	2204627	ROLLER/MN	PZ	1.0



N.	CODE	DESCRIPTION	UM	QTY
22	2229641	KEY	PZ	1.0
23	2204220	Bearing	PZ	1.0
24	3211258	GEARBOX ASS/MN	PZ	1.0
25	3211260	PINION	PZ	1.0
26	3211263	OIL SEAL RING 30X55X10	PZ	1.0

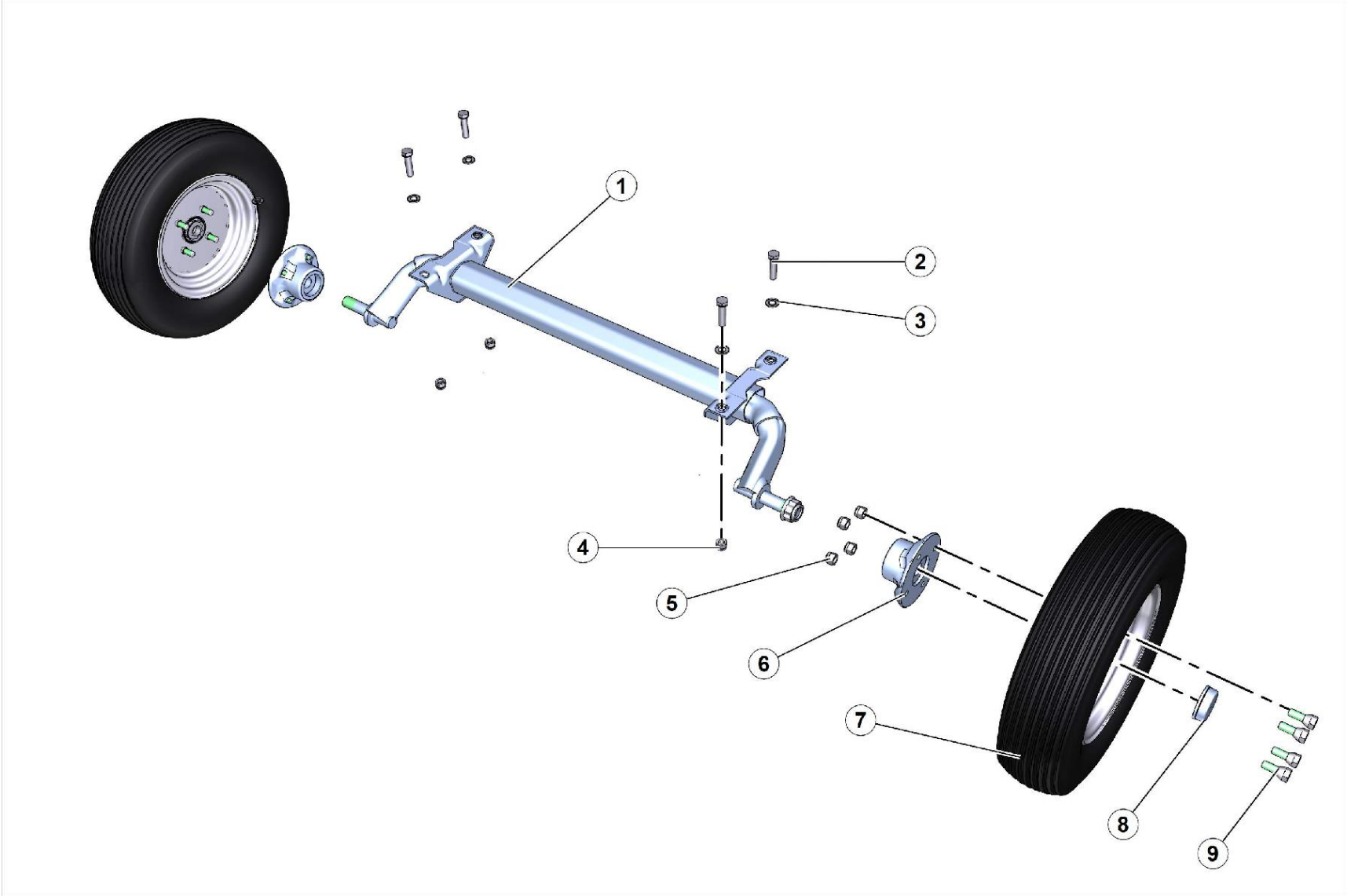
MOTOR AND ELECTRIC SWITCH





N.	CODE	DESCRIPTION	UM	QTY
1	3226525	ELECTRIC MOTOR KW4 380V50 MEC112 4POLI B	PZ	1.0
2	3236175	FAN COVER MEC112 4 HOLES GALVANIZED	PZ	1.0
3	3236176	FAN COVER/CONC.MIXER		1.0
4	2222076	SCREW/SAW	PZ	8.0
5	3225566	PLATE	PZ	1.0
6	2223923	LOCK NUT	PZ	4.0
7	2224140	ROLLER 6593	PZ	4.0
8	3211425	PULLEY	PZ	1.0
9	1224113	WASHER	PZ	1.0
10	2224910	WASHER/MN	PZ	1.0
11	2222071	SCREW	PZ	1.0
12	2210805	BELT	PZ	1.0
13	3211347	PULLEY	PZ	1.0
14	3236671	MIX 750 COMPLETE SWITCH	PZ	1.0
15	3211826	CABLE CLAMP		3.0
16	3201216	CABLE CLAMP	PZ	1.0
17	3201598	PIN	PZ	1.0
18	3236668	JUNCTION BOX	PZ	1.0

AXLE





N.	CODE	DESCRIPTION	UM	QTY
1	3235888	AXLE/MN		1.0
2	2222050	SCREW/MN	PZ	4.0
3	2224380	WASHER/SAW	PZ	4.0
4	3207392	NUT/MN	PZ	4.0
5	2222142	SCREW	PZ	4.0
6	3236444	FLANGE		2.0
7	3296035	WHEEL/MN	PZ	2.0
8	3236446	CAP		2.0
9	3234146	COLUMN M12X1.5 X AL-KO HUB	PZ	8.0



Access Platform Division

Via San Francesco d'Assisi, 8 - 46020 Pegognaga (Mantova) - ITALY Tel. +39 0376 554011 - Fax +39 0376 559855

www.imergroup.com

Building Equipment Division

Via della Meccanica, 39 (Zona Industriale Sentino) - 53040 Rapolano Terme (Siena) - ITALY - Tel. +39 0577 97341 - Fax +39 0577 704077

www.imergroup.com